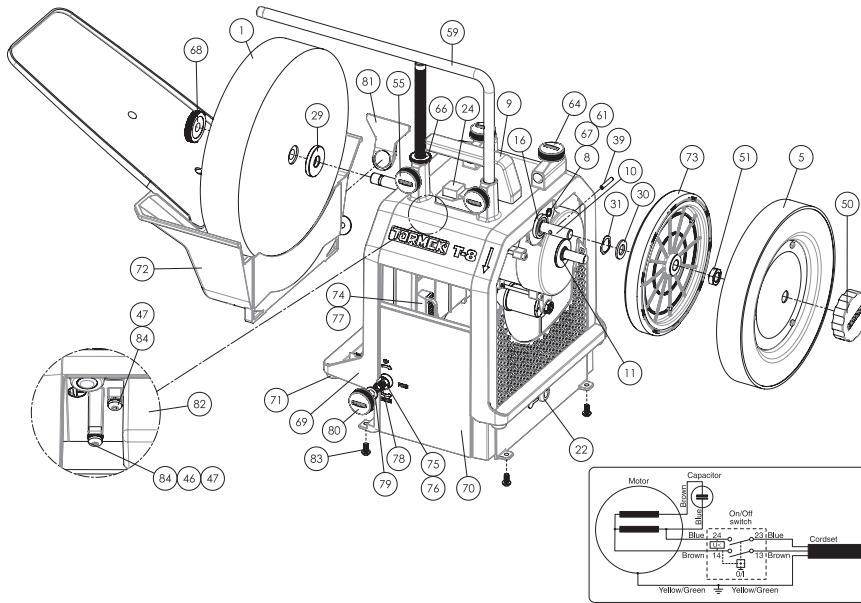


Spare parts list – Tormek T-8



| No. | Denomination | Qty | Art.no. | No. | Denomination | Qty | Art.no. |
|-----|-------------------------------|-----|---|-----|--|-----|------------------------------|
| 1 | Grindstone | 1 | 6011 | 55 | Locking screw | 2 | 7031 |
| 5 | Honing wheel | 1 | 0591-07 | 59 | Universal Support excl. adjusting nut | 1 | 0220 |
| 8 | Mounting shaft | 1 | 1015 | 61 | * Distance spring for the motor | 1 | 0561 |
| 9 | Handle incl. nut and washer | 1 | 3041 | 64 | Locking screw | 2 | 7120 |
| 10 | ** Main shaft | 1 | 1041 | 66 | Adjusting nut with scale | 1 | 1162 |
| 11 | Motor | 1 | 6021 (230 V) 6161 (115 V) | 67 | * Bushing for mounting shaft | 1 | 3123 |
| 16 | Nylon bearing | 2 | 3061 | 68 | EzyLock | 1 | 1190 |
| 21 | * Cord set | 1 | 6031 (SE) 6041 (CH) 6043 (US) 6050 (JP) 6053 (GB) 6055 (AU) 6057 (ZA) | 69 | Housing | 1 | 2000 |
| 22 | Cord set bushing | 1 | 6081 (230 V) 6191 (115 V) | 70 | Plastic cover | 1 | 3070 (230 V) 3130 (115 V) |
| 24 | Switch | 1 | 6320 (230 V) 6330 (115 V) | 71 | Rubber foot | 4 | 3198 |
| 29 | Washer for the stone | 1 | 0130 | 72 | Water trough with water chute | 1 | 3090 |
| 30 | Washer for the drive wheel | 1 | 5081 | 73 | Drive wheel with friction ring | 1 | 2010 |
| 31 | Wave spring washer | 1 | 5410 | 74 | Water trough holder | 1 | 2020 |
| 39 | Locking pin | 1 | 5071 | 75 | Gear shaft | 1 | 2070 |
| 46 | Folded washer | 2 | 5001 | 76 | Locking head | 1 | 2080 |
| 47 | Locking washer | 3 | 5021 | 77 | Guide rail | 2 | 3110 |
| 50 | Locking knob for honing wheel | 1 | 7041 | 78 | Spring | 1 | 0800 |
| 51 | Nut. M12 h=4 | 1 | 1051 | 79 | Washer 8.4x15x1.6 mm | 1 | 5020 |
| | | | | 80 | Knob water trough | 1 | 7005 |
| | | | | 81 | Scraper water trough | 1 | 3100 |
| | | | | 82 | Cover for switch | 1 | 3080 |
| | | | | 83 | Screw M5x10 mm | 4 | 5590 |
| | | | | 84 | Screw M4x8 mm | 3 | 5600 |

* Not shown on drawing.
** Available only with MSK-250.