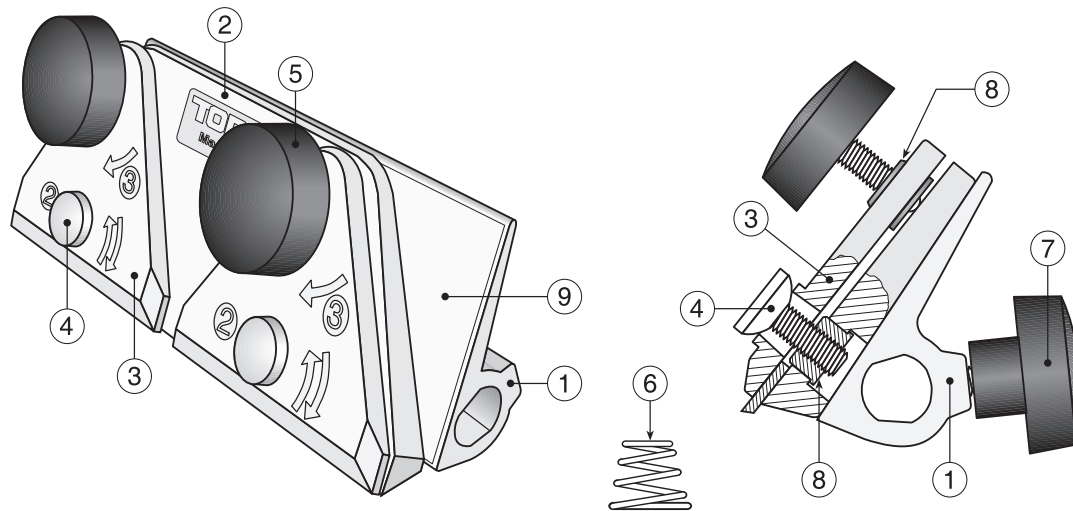


SVX-150 Scissors Jig



Item no.	Article no.	Denomination	Quantity	Weight/piece	
				g	oz
1	0230	Support plate	1	156	5,50
2	2030	Holder	1	126	4,44
3	2040	Clamp	2	31	1,09
4	1060	Setting screw	2	7	0,25
5	7050	Tightening screw	2	9	0,32
6	0500	Spring	4	0	0,00
7	7031	Locking screw	1	10	0,35
8	1050	Brass bushing, M6	4	4	0,14
9	9492	Sliding film	1	4	0,14

