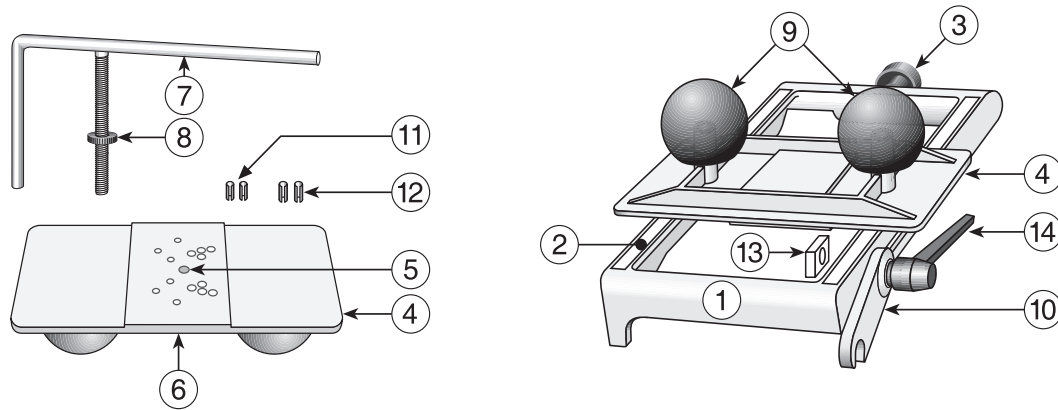


SVP-80 Moulding Knife Attachment



Item no.	Article no.	Denomination	Quantity	Weight/piece	
				g	oz
1	2270	Base	1	220	7,76
2	9498	Sliding film	2	4	0,14
3	7120	Screw	1	9	0,32
4	2280	Knife holder	1	210	7,41
5	5300	Magnet	1	1	0,04
6	9475	Sticker SVP-80	1	1	0,04
7	0220	Universal Support US-105	1	499	17,60
8	US-105N	Micro adjust SVP-80 with scale	1	16	0,56
9	3040	Knob SVP-80	2	54	1,90
10	2290	Arm	1	19	0,67
11	5075	Hollow pin $\text{AE}4$	4	1	0,04
12	5080	Hollow pin $\text{AE}5$	4	1	0,04
13	1145	Nut	1	8	0,28
14	6080	Hand lever	1	12	0,42