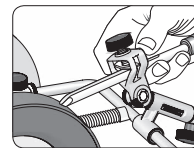
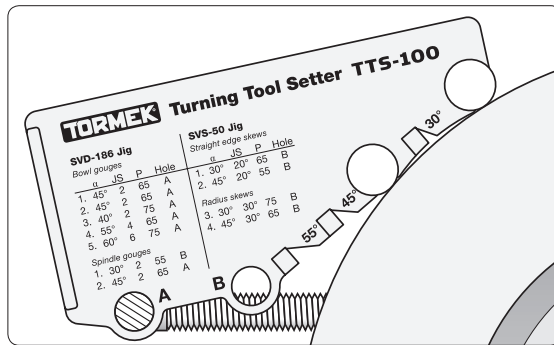
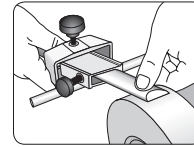


Turning Tool Setter TTS-100

The patented Turning Tool Setter is the key to the Tormek Sharpening System for woodturning tools. It enables you to exactly create and replicate the edge on your bowl and spindle gouges as well as on your flat or oval skews with either a straight or a curved edge. It works in conjunction with the Gouge Jig SVD-186 and the Multi Jig SVS-50.



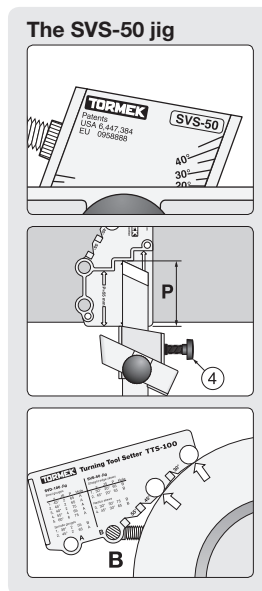
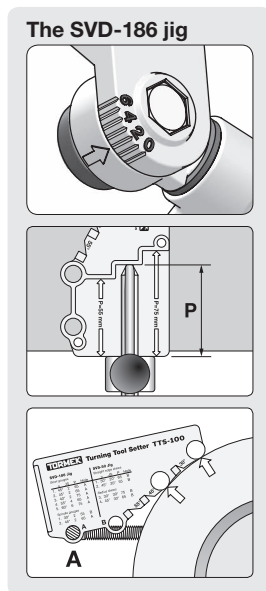
Gouge Jig SVD-186



Multi Jig SVS-50

How Does It Work?

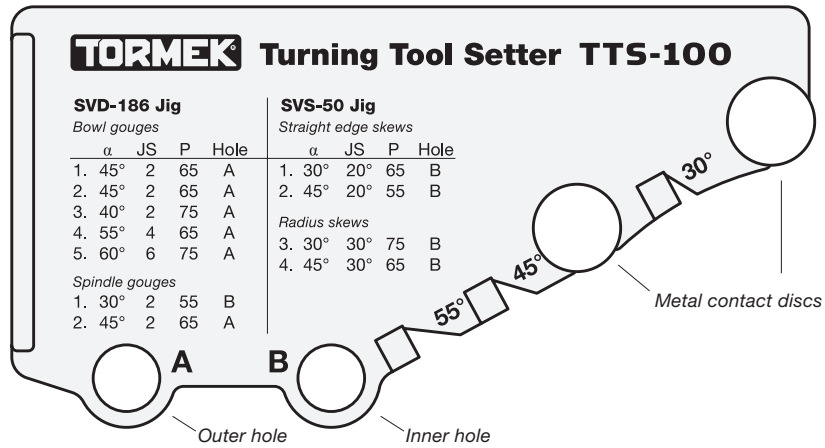
Three factors determine the shape of a gouge or a skew; the jig setting (JS), the protrusion (P) and the distance of the Universal Support from the grinding wheel (hole A or B). By controlling these factors and repeating them at each sharpening you will get an exact replication of the shape and edge angle every time.



JIG SETTING = JS

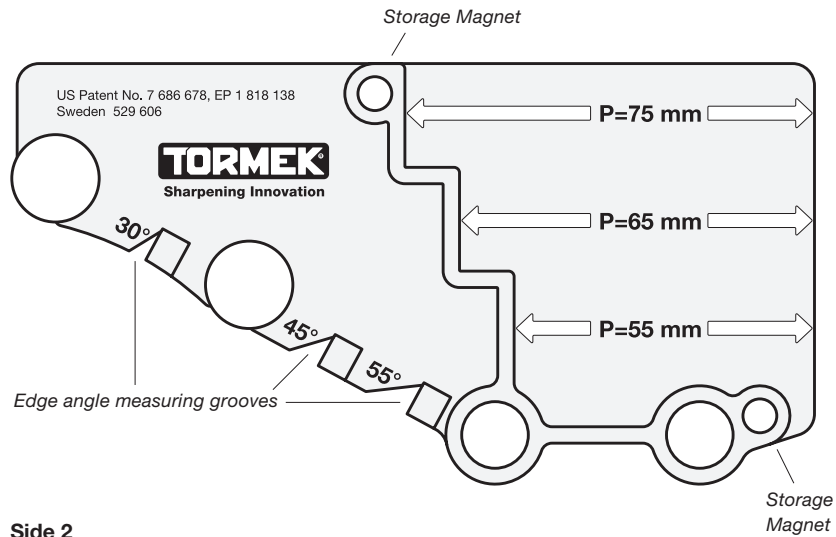
PROTRUSION = P

DISTANCE TO GRINDING WHEEL



Side 1

There are two holes for the Universal Support, A and B.
The type of tool and profile you require decide which hole to use.



Side 2

This side has stops for the recommended protrusions of the tool in the jig (P).

Selected Shapes and Edge Angles

There are quite a few manufacturers of turning tools and the shapes and edge angles vary considerably. For example there are factory made skew chisels with skew angles from 15° to 30° and the edge angles vary from 25° to 40°. Factory made bowl gouges have edge angles from 30° to 60°. The wide range of shapes is the reason why Tormek up until now, has not made recommendations for setting the shape and edge angle. Instead we have offered the technique and left to each turner to find his or her own geometry, i.e. shape and edge angle.

However, after having been in contact with many turners around the world, we now see the need for an aid to a quick setting of the jig and also for advice about some suitable shapes and edge angles. The Tormek Turning Tool Setter offers both.

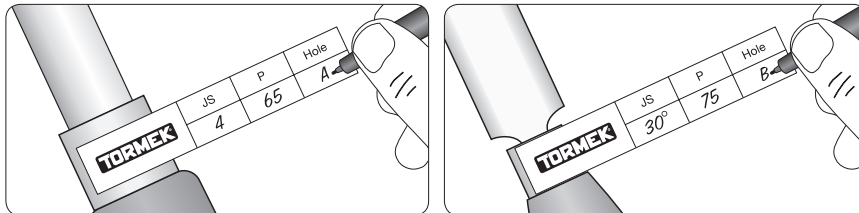
The Selection Chart on the next page shows geometries recommended by experienced woodturners and recognized woodturning training workshops around the world, e.g. Glenn Lucas Woodturning in Ireland, Nick Agar's "Turning Into Art" in the UK and Drechselstube Neckarsteinach in Germany.

Since a tool can have an unlimited number of combinations of shapes and edge angles, a new tool has a more or less different shape compared to any of the shapes on the chart. Therefore, you firstly need to shape your tool to one of these geometries; then the following sharpenings will be an easy task and done in less than a minute.



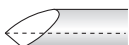
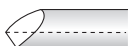


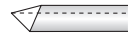
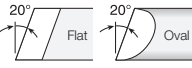
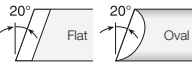
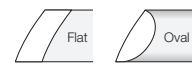

Tip *Stick to the shape you have chosen. Altering the shape even slightly, takes unnecessary time away from your turning. If you want a different shape for a different type of work, buy an additional tool and keep the unique shape permanently rather than changing it each time you change your work. In the long term, this will save you much time and also money. Your tools will last for your lifetime since you just touch up the edge when sharpening.*

Profile Labels

Note the settings on a Profile Label, which comes with the TTS-100 Setter and put it on the ferrule of the tool. Now you have control of the three factors and you can exactly replicate them every time.



TTS-100 Selection Chart

<i>Bowl gouges</i>				
1	$\alpha=45^\circ$		JS 2 P 65 Hole A	Standard profile. Only lightly swept back wings. For turners of all skill levels.
2	$\alpha=45^\circ$			Irish profile. Swept back wings. Swing the tool 180° from side to side.
3	$\alpha=40^\circ$		JS 2 P 75 Hole A	With long swept back wings. Somewhat aggressive. For professional level turners.
4	$\alpha=55^\circ$		JS 4 P 65 Hole A	The larger edge angle is beneficial when turning deep bowls.
5	$\alpha=60^\circ$		JS 6 P 75 Hole A	"Ellsworth" shape. Wings are pronounced convex.
<i>Spindle gouges</i>				
1	$\alpha=30^\circ$		JS 2 P 55 Hole B	For tight spots, detail work and finest finish. For professional level turners.
2	$\alpha=45^\circ$		JS 2 P 65 Hole A	Standard profile. For turners of all skill levels.
<i>Skews</i>				
1	Straight edges $\alpha=30^\circ$		JS 20° P 65 Hole B	For tight spots, detail work and finest finish. For professional level turners.
2	Straight edges $\alpha=45^\circ$		JS 20° P 55 Hole B	For broad application. Easier to control than a 30° edge angle.
3	Radius edges $\alpha=30^\circ$		JS 30° P 75 Hole B	For tight spots, detail work and finest finish. For professional level turners.
4	Radius edges $\alpha=45^\circ$		JS 30° P 65 Hole B	For broad application. Easier to control than a 30° edge angle.